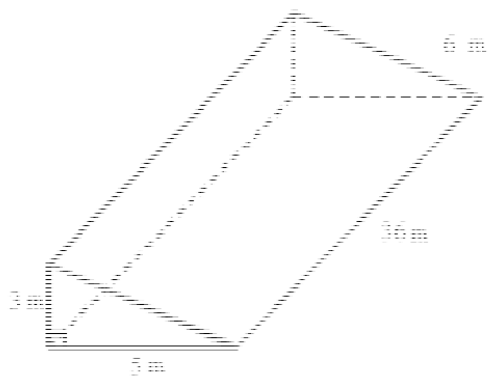


## Chapter 11 Test - Practice

### Short Answer

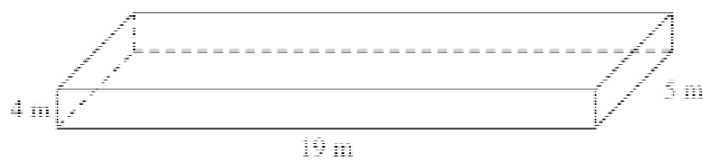
Use formulas to find the surface area of the given prism. Show your answer to the nearest whole number.

1.



Not drawn to scale

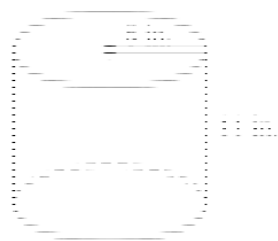
2.



Not drawn to scale

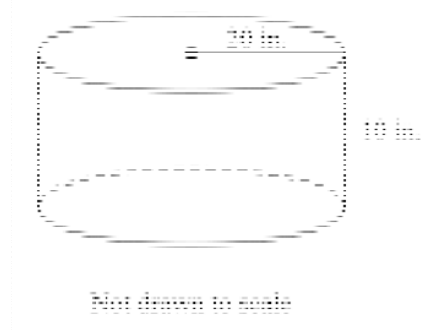
Find the surface area of the cylinder, round to the nearest hundredth.

3.



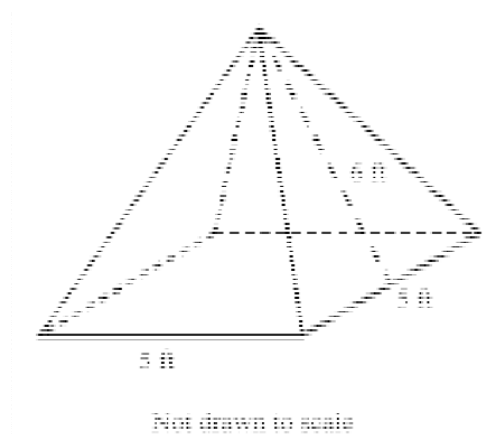
Not drawn to scale

4. Find the surface area of the cylinder to the nearest whole number.

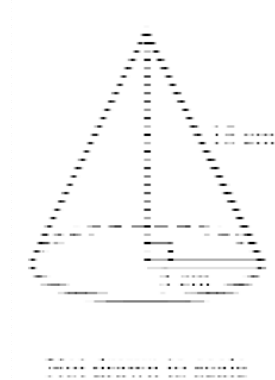


**Find the surface area of the pyramid shown to the nearest whole number.**

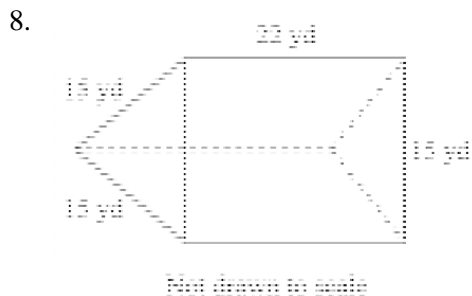
- 5.



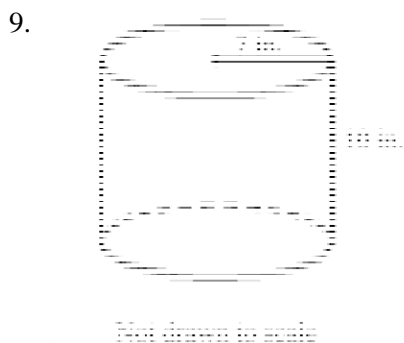
6. Find the surface area of the cone in terms of  $\pi$ .



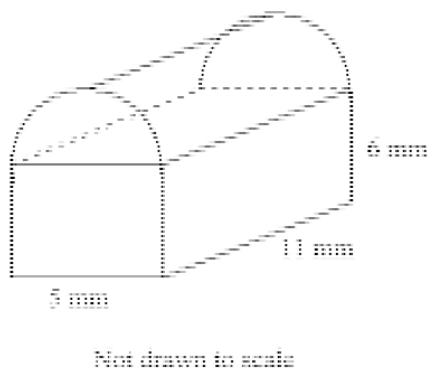
Find the volume of the given prism. Round to the nearest tenth if necessary.



Find the volume of the cylinder in terms of  $\pi$ .

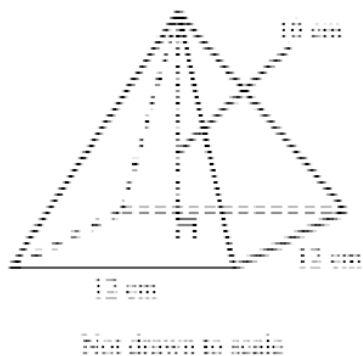


10. Find the volume of the composite space figure to the nearest whole number.



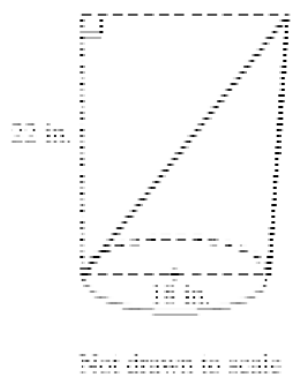
Find the volume of the square pyramid shown. Round to the nearest tenth as necessary.

11.



Find the volume of the cone shown as a decimal rounded to the nearest tenth.

12.

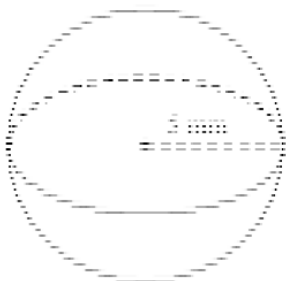


Find the surface area of the sphere with the given dimension. Leave your answer in terms of  $\pi$ .

13. radius of 30 m

Find the volume of the sphere shown. Give each answer rounded to the nearest cubic unit.

14.



**Chapter 11 Test - Practice  
Answer Section****SHORT ANSWER**

1.  $519 \text{ m}^2$
2.  $382 \text{ m}^2$
3.  $304\pi \text{ in.}^2$
4.  $3770 \text{ in.}^2$
5.  $85 \text{ ft}^2$
6.  $54\pi \text{ cm}^2$
7.  $308 \text{ ft}^3$
8.  $2143.4 \text{ yd}^3$
9.  $490\pi \text{ in.}^3$
10.  $438 \text{ mm}^3$
11.  $480 \text{ cm}^3$
12.  $1866.1 \text{ in.}^3$
13.  $3,600\pi \text{ m}^2$
14.  $524 \text{ mm}^3$